

Why Professional Thermographers are choosing Thermal Trend

We Energies

Jim Rescheske, Level III Certified Thermographer and Corporate IR Inspection Program Coordinator

Three years ago, I was assigned the task of formalizing the We Energies infrared inspection program.

Today, at the core of our formal IR inspection program is the software, Thermal Trend Lean. It gives us the ability to follow the progress of each plant, as well as see what problems are being discovered, and repaired, which justifies the cost of the entire program, hardware, software, and training. Since we are reducing risk to the insurance carrier, our insurance premiums remain lower, compared to what they would be without a well functioning formal IR inspection program in place.

Thermal Trend Lean has proven to be the tracking device we need to demonstrate to upper management that we are indeed performing routine inspections, finding problems, and getting those problems repaired in a timely manner. This in turn, causes increased up time and reduced down time within our power plants. This is a win-win situation for our plants, customers, and the insurance company.

Boeing

C. J. Saville, Boeing Condition Based Maintenance

Thermal Trend - Lean DB has played a key role in standardizing an existing IR program, which used to have multiple platforms, and has served as a core strategy in the implementation of new IR programs across multiple regions and sites within the Boeing Company.

The robust attributes of the database as well as a "Lean" approach will ensure our maintenance personnel will be able to stay competitive and efficient in the Global Economy.

Ford Motor Company DSP

Chuck Larabell, Electrician and IR Thermographer

Thermal Trend Lean has been pivotal in making the thermography program at the Ford Dearborn Stamping Plant very successful.

Features that I like are the equipment tracking system, the fact that you can start and stop at any point during an inspection and easily pick up where you left off. Excellent for field use on the Pocket PC, great record keeping, and the item trending through its life cycle has helped make my job easier and more proficient.

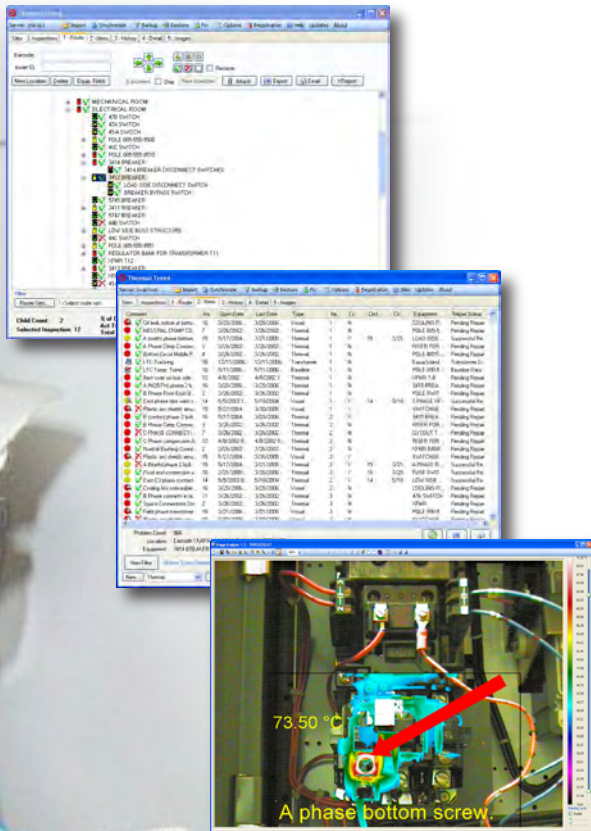
Thermal Trend Lean is the best infrared PdM database program on the market for a Thermographer.

Hassan Koussan, W.F.R., IR Thermographer and Delta Weld Inspector

I am a thermographer at Ford and I love using Thermal Trend Lean for many reasons, such as:

- Ease of use on the Pocket PC and Desktop
- Color icons indicating the status of a particular piece of equipment
- One button report generation for a variety of comprehensive reports
- Great historical equipment analysis
- Barcode support for ease of locating equipment on the plant floor with the Pocket PC

It was the best investment we made for our thermography program.



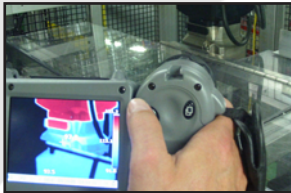
Software Suite of Productivity Tools for Infrared Inspections

Thermal Trend, the leader in infrared imaging software, offers you a complete office suite to manage your Infrared PdM Inspection Program. "Fully integrated infrared image analysis tools and the No. 1 selling database for field force automation and data collection."

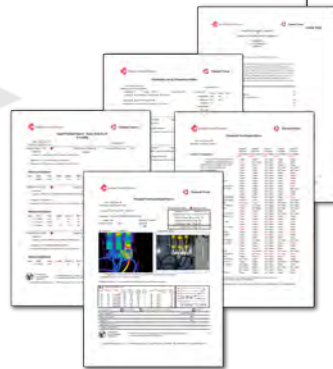


Thermal Trend - Lean DB

- Scalable, flexible and upgradable to meet your growing PdM program needs.
- 100% accountability.
- Demonstrable return on investment
- Unsurpassed data analysis capabilities
- Intuitive user interface
- Drill down tab navigation
- Route Based - Hierarchal Database of locations and equipment
- Smart Icons indicate problem status of your equipment
- Create, track & trend several item types
- Cost Benefit Analysis
- Work Order Tracking
- Integrated with Image Analyzer to work directly with all major IR Camera file formats allowing for advanced image analysis
- Open Architecture SQL database
- Integrates with CMMS Databases
- Comprehensive Management Reports
- One Button Report Generation



Works with a wide variety of image types

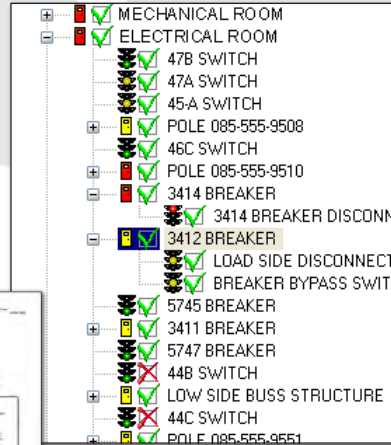


Comprehensive Reports



Thermal Trend - Mobile

- Automated Data Collection/Retrieval
- Pocket PC or Pen Tablet
- Barcode, GPS
- Automatic Synchronization with Lean DB



Hierarchal Route with Visual Cues



Smart Icons



Pre-printed Bar Codes



Intuitive User Interface



Thermal Trend - Image Analyzer

Explore, View, Analyze, and Report all of your IR images from any IR Camera -- All in One Program!

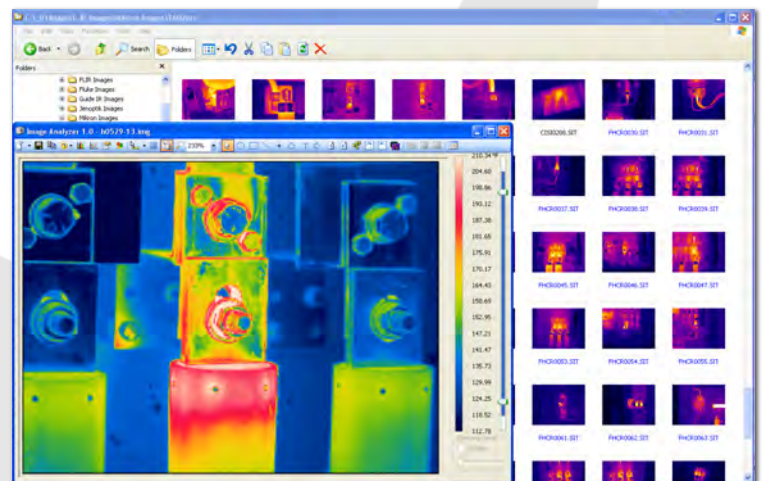
Explore and View

Easily manage all of your IR images in Windows File Explorer, from all of your different IR cameras in one program!

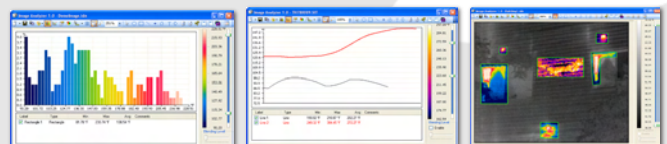
Analyze and Report

Image Analyzer is a dynamic tool allowing you to actively interact with your IR images and create reports in MS Word.

- Advanced analysis tools for your infrared images.
- Multi Palette Images
- Spots, Lines, Areas
- Line Profiles
- Histograms
- Isotherms
- Resize, Rescale, Rotate
- Crop and Save
- Fusion of IR and Photos
- Compile multiple IR Images into one image
- Save all Analysis, IR and Photo in to one Infrared Digital Negative (IDN) File



Explore and View



Analyze and Report